



# DE 422 Panel For Ceiling or Wall Mount Installation and Operation Instructions

**P/Ns: 10001360/10001361**

Patents 5,334,347/ 5,817,276/ 5,866,076/ 6,245,293/ 6,267,924/ 6,280,686/  
6,313,470/ 6,372,186/ 6,423,882/ 6,500,267 /6,589,476/ 6,627,000/ 6,783,578/  
7,140,749/ 7,282,728/ 7,459,694 & others pending



**NOTE:** Read this entire instruction sheet before starting the installation.

Made in the USA

## IMPORTANT CONSIDERATIONS

Improper installation, adjustment, alteration, service, maintenance, or use can cause fire, electrical shock, or other conditions which may cause personal injury or property damage. Consult your supplier or Steril-Aire for information or assistance.

Understand the signal words **DANGER**, **WARNING**, and **CAUTION**. These words are universally used for overall safety. **DANGER** identifies the most serious hazards which will result in severe personal injury or death. **WARNING** signifies hazards which could result in personal injury or death. **CAUTION** is used to identify unsafe practices resulting in minor personal injury or product and property damage.

**⚠ WARNING:**

- Before performing maintenance or service on fixture, ensure unit is unplugged. Electrical shock can cause injury or death.

**⚠ WARNING:**

- Never expose eyes or skin to UVC light. Wear gloves, face shield/glasses (per ANSI Z87.1) and cover all exposed skin.

**⚠ WARNING:**

- UV emitted from this lamp. Skin and/or eye injury could result. Avoid exposure of eyes and skin to unshielded lamp. Do not enter room when lamp is in operation without first taking precautions.

- Do not touch UVC Emitter<sup>®</sup> germicidal lamp without gloves. Damage to Emitter may result. Oil from fingerprints will permanently etch glass of Emitter and weaken structure. If necessary, clean Emitter using a Steril-Aire cleaning kit (included), isopropyl alcohol and a lint-free wipe may be substituted.
- UVC Emitters are fragile. To prevent accidental breakage handle the UVC Emitter with care.
- Voltages outside of the range designed for the unit will void the warranty and do permanent damage to the entire unit.
- Emitter contains a small quantity of mercury. If an Emitter breaks, clean and dispose of with the same care as a fluorescent lamp.
- The qualified installer or agency must use factory kits and accessories when installing this product.

For your safety ensure that the Fixture is electrically connected to a proper power source, on/off switch, interlock switch, motion detector, etc.

Dispose of used lamps in accordance with local regulations regarding the disposal of fluorescent lamps.

# INSTALLATION & OPERATION

**NOTE:** Ensure that Emitter is installed before power is applied. Installing Emitter after power has been applied may trigger the “end-of-lamp-life circuit” and the Emitter may fail to light. If this happens, shut off power for 10 seconds and then turn power back on. Emitter will then light.

**CAUTION:** Do not drill into other electrical or mechanical equipment. Consult all applicable codes before installing. Check power supply housing label for the correct power requirements. Obtain power from a suitable, protected (fused) and grounded power source.

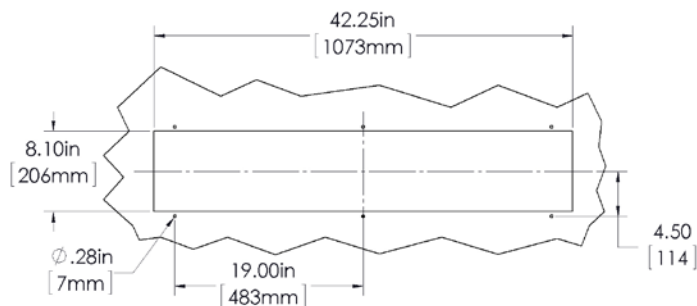
All access doors to the location where fixtures are installed should be interlocked to turn Emitter(s) off when doors are opened. Entry ways without doors should be equipped with motion detectors to prevent entry during operation. The door should have a sign posted in appropriate languages alerting personnel to the possible hazard of exposing eyes or skin to UVC energy. Doors may be equipped with a glass window to view Emitters. UVC energy does not penetrate common glass. Viewports are available as an accessory through Steril-Aire.

Consult all applicable codes before installing. Check fixture label(s) for the correct power requirements and supply the correct voltage from a suitable, protected (fused), and grounded power source.

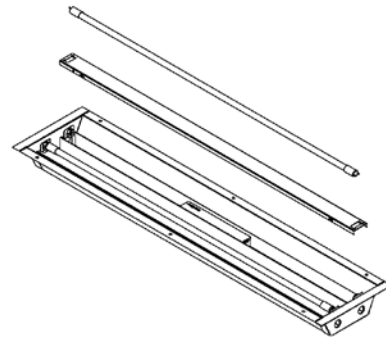
## Hard Mount Option

Hard Mount Option Installation Kit includes the following items:

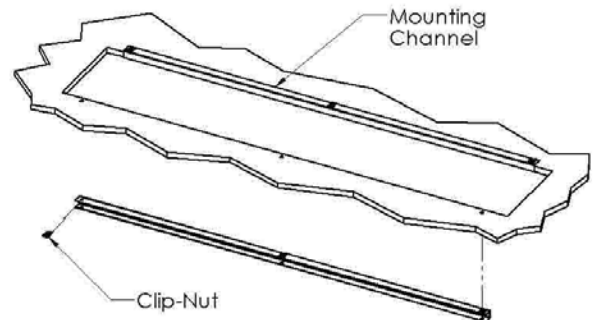
ITEM NO.	DESCRIPTION	QTY
1	DUAL DE422 PANEL	1
2	MOUNTING CHANNEL	2
3	TRUSS HEAD SCREW 10-32 X 1	6
4	CLIP NUT 10-32	6
5	GTD 40 VO SLEEVED EMITTER or GTD 40 VO EMITTER	2



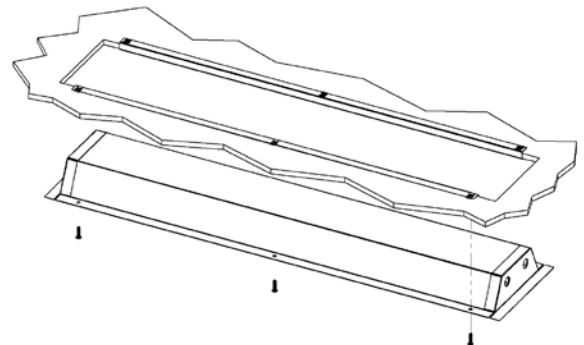
Step 1: Cut out 8.1" x 42.3" hole in ceiling or wall and drill 6 each 9/32 Ø holes per drawing/template



Step 2: Remove Emitters and Reflective covers from fixture.

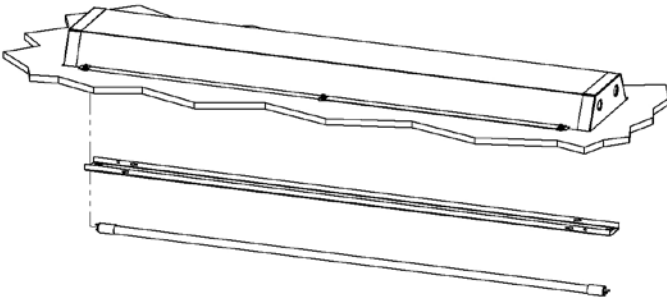


Step 3: Install 3 each Clip Nuts to the two Mounting Channels; Install Channels into the Edges of the Opening



Step 4: Insert Fixture into hole attach with 6 each Truss Head Screws.

Using a qualified electrician, make the electrical connection to the cables coming from the ½" conduit nipple on the top housing. **Do not turn power on.**



Step 5: After connecting the wiring, reattach the 2 each Aluminum Reflectors and install Emitters.

1. A power switch or control system should be installed to the fixtures. Ensure the switch is in the "Off" position and/or there is no way for power to reach the fixtures.
2. Connect power through safety options prior to the main junction box like the Steril-Aire Interlock Switch.
3. Do not connect to a cycled power source.
4. Clean Emitters using Steril-Aire Cleaning Kits.
5. Complete all power connections and turn power "On" to the Fixture.
6. From behind an installed viewport, glass or other protective shield confirm that UVC Emitters are functioning properly. The Emitters should emit a bright blue hue if properly powered.
7. Attach the Caution Label and Lamp Change Date Label near the entrance to the room so they are clearly visible. Be sure to fill in the installation date and the replacement part numbers for the UVC Emitters.

## MAINTENANCE

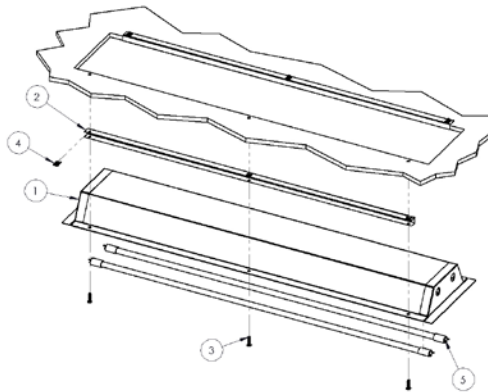
Emitters need to be periodically replaced with Genuine Steril-Aire Emitters to maintain design output. Emitters should be replaced after 9000 operating hours. Clean Emitters periodically with a 90000100 Cleaning Kit.

## TROUBLESHOOTING

Symptom	Possible Causes	Corrective Action
Emitter does not light	Momentary loss of power.	<u>Reset Power</u> Turn off power for 10 Seconds, and then turn power on.
	Poor connection	Check connection to Emitter. Check wiring connections. Reset Power
	Incorrect wiring	Inspect circuit to wiring diagram.
	Dirty pins	Clean pins. Reset Power
	System malfunction	Check system components, interlock door switches, relays, motion detectors, etc.
	Emitter reaching end of life	Replace with new Emitter. Reset Power
Red/Orange Emitter	Defective Power supply	Replace Power Supply.
	Emitter reaching end of life	Replace Emitter

# SPARE OR REPLACEMENT PARTS

ITEM NO.	PART NUMBER	DESCRIPTION	QTY.
1	10001360	CEILING MOUNT DUAL DE422	1
2	10001306	MOUNTING CHANNEL	2
3	10001309	TRUSS HEAD SCREW 10-32 X 1	6
4	10001310	CLIP NUT 10-32	6
5	20000500	GTD 40 VO EMITTER	2
5	20000501	GTD 40 VO SLEEVED EMITTER	2
Not pictured	00001379	422 PANEL INSTALLATION TEMPLATE	1



Thank you for choosing Steril-Aire, world leader for UVC Solutions. Please contact your local supplier or Steril-Aire directly if we can provide any further information or service. Your satisfaction is very important to us.

### Corporate Office

2840 N. Lima Street • Burbank, CA 91504  
 Tel: 818-565-1128 • Fax: 818-565-1129  
 Web: [www.steril-aire.com](http://www.steril-aire.com) • Email: [sales@steril-aire.com](mailto:sales@steril-aire.com)

The health aspects associated with the use of this product and its ability to aid in disinfection of environment air has not been investigated by UL.