

Enhanced UVC Kit For Steril-Aire Enhanced Emitters from 24"–61" (Emitters sold separately)

Germicidal, Very High Output UVC for Air Handlers



Features

- Reduces HVAC energy costs by cleaning coils to restore heat transfer efficiency and net cooling capacity.
- Uses germicidal UVC irradiation proven as an effective inactivation method for mold, bacteria and viruses.
- Improves Indoor Air Quality.
- Eliminates costly cleaning programs and the use of harmful chemicals and disinfectants by continuously cleaning coils & drain pans. Keeping them clean also keeps plenums and ducts from gathering those same contaminants downstream.
- Delivers up to 6 times the output of competitive UVC products at HVAC operating temperatures, for longer coil life and more reliable germicidal control.
- Offers lowest life-cycle cost of any UVC product. Return on investment is often less than one year.
- Uses IP67 compliant water tight connector for installation in condensing environments.
- Uses state-of-the-art solid-state electronic power supply for enhanced reliability and performance.
- Produces no ozone or other secondary contaminants.
- Installs quickly and easily.

Steril-Aire’s Enhanced UVC Kit drives a multi-patented UVC Emitter that provides the best and longest-lasting high output UVC performance available. As shown in the comparison graph (below), it has been independently tested to deliver up to 6 times the output of other ultraviolet devices under HVAC conditions (50 °F @ 400 fpm air velocity).

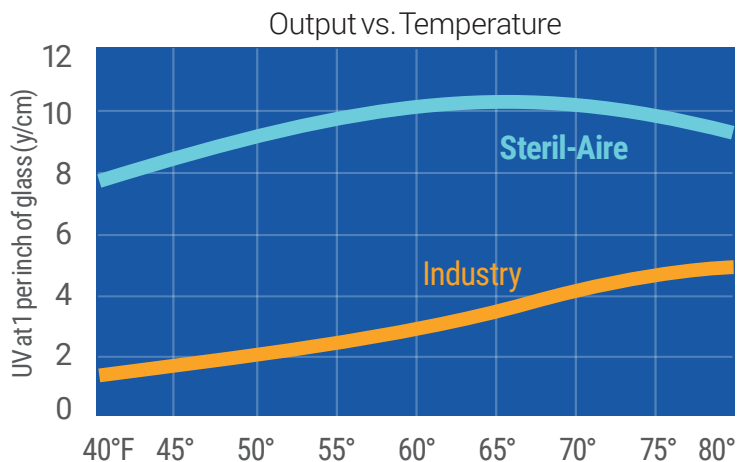
Competitive UVC lights must be changed every 3-4 months to remain effective because their initial output is so low that they quickly lose the intensity or “killing power” needed to maintain biofilm control. The Steril-Aire UVC Emitter, by contrast, has a 12-month service life - and even after a full year, it has greater output than competitive devices deliver on Day 1! As a result, only Steril-Aire can ensure the germicidal performance you need.

Applications

The Steril-Aire Enhanced UVC Kit is ideal for air handler units typically found in commercial and industrial applications.

The Enhanced UVC Kit delivers energy savings on retrofit units, continuation of factory design efficiency on new units and improved IAQ on all applications. Emitters shall be installed parallel to the cooling coils and perpendicular to the fins, producing high output UVC energy to eliminate biofilm and reducing or eliminating airborne microbial contaminants.

The slim power supply offers installation flexibility in tight housing spaces. The Enhanced UVC Kit includes a universal 120-277V power supply with an IP67 compliant water tight connector on a 3-foot lead, & 2 Spring Clips.



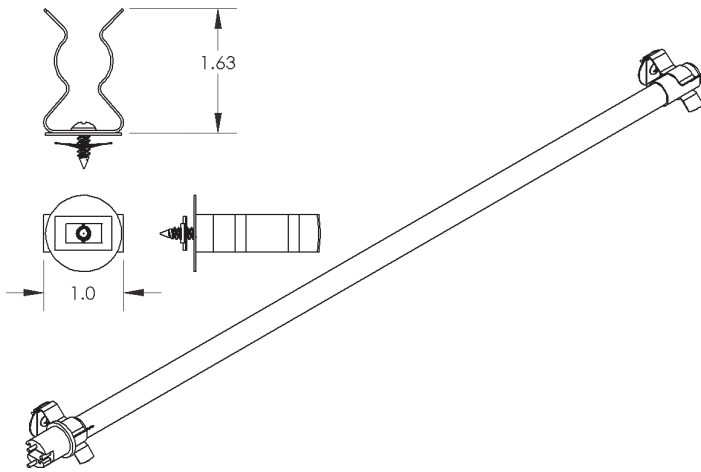
Steril-Aire’s multi-patented UVC Emitter provides the best and longest-lasting UVC performance available. As shown in the comparison graph (above), it has been independently tested to deliver up to 6 times the output of other ultraviolet devices under HVAC operating conditions (50 °F @ 400 fpm air velocity).

Specifications

The Enhanced UVC Kit shall be factory assembled and tested. The Kit shall consist of a power supply with wires and connector and 2 Spring Clips.

The power supply shall be a class P with a power factor of >0.98. It shall be suitable for single-phase input power ranging from 120-277V (+/- 10%) and 50/60 Hz. The design shall include RF and EMI suppression. The power supply input wire length shall be 15". The Emitter to power supply wire length shall be 3' IP67 compliant watertight connector at one end and an M12 Connector at the other. The recommended maximum connector cord length from Emitter to power supply is 33'.

Emitters, Replacement Parts, & Optional Accessories

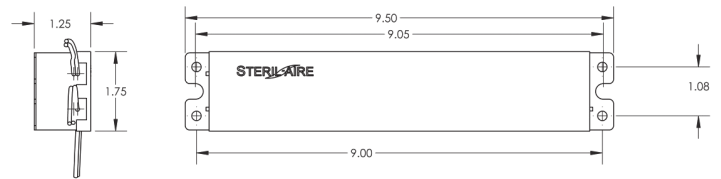


The socket shall be a Steril-Aire 4-pin type to facilitate connection to the EGTS Emitter for ease of installation and service.

Mounting: Spring Clips (2).

Independent Testing: The unit shall be tested by an independent test laboratory and shall be verified to provide output per one inch arc length of not less than 7.5 $\mu\text{W}/\text{cm}^2$ at 1 meter in a 400 fpm airstream of 50 °F.

Unit shall comply with ANSI/UL Standards 153, 1598, 1995 and CSA and CE standards. The manufacturer shall be an ISO 9001:2008 certified facility.



This product may be covered by one or more of the following patents, others pending: 5,817,276 / 6,245,293 / 6,267,924 / 6,280,686 / 6,313,470 / 6,423,882 / 6,500,267 / 6,589,476 / 6,627,000 / 6,997,578 / 7,140,749 / 7,282,728 / 7,459,694.

Part No.	Emitters
21000310	EGTS 24 VO - Enhanced 24" Single Ended Emitter
21000410	EGTS 30 VO - Enhanced 30" Single Ended Emitter
21000510	EGTS 36 VO - Enhanced 36" Single Ended Emitter
21000610	EGTS 42 VO - Enhanced 42" Single Ended Emitter
21000910	EGTS 50 VO - Enhanced 50" Single Ended Emitter
21000810	EGTS 61 VO - Enhanced 61" Single Ended Emitter
21000311	EGTS 24 VO - Enhanced 24" Single Ended Sleeved Emitter
21000411	EGTS 30 VO - Enhanced 30" Single Ended Sleeved Emitter
21000511	EGTS 36 VO - Enhanced 36" Single Ended Sleeved Emitter
21000611	EGTS 42 VO - Enhanced 42" Single Ended Sleeved Emitter
21000911	EGTS 50 VO - Enhanced 50" Single Ended Sleeved Emitter
21000811	EGTS 61 VO - Enhanced 61" Single Ended Sleeved Emitter

Part No.	Replacement Parts & Accessories
90000812	Spring Clip Kit w/Speed Nut
90000815	Spring Clip Kit w/T Nut
11002209	Short Hooks Kit
90000222	Flat Plate Lamp Holder Kit (for metal)
90000220	Flat Plate Lamp Holder Kit (for plastic)
15000160	Quick Slip Fitting
50000135-10	M12 Extension Cable for Enhanced UVC Kit - 10ft
50000135-20	M12 Extension Cable for Enhanced UVC Kit - 20ft
50000135-30	M12 Extension Cable for Enhanced UVC Kit - 30ft
10000180	Power Supply for Enhanced UVC Kit & RIK
50000130-03	Enhanced Emitter Connection Cable – 3 ft.

STERIL-AIRE®

2840 N. Lima Street, Burbank, CA 91504
818.565.1128 | sales@steril-aire.com | steril-aire.com



Represented by: