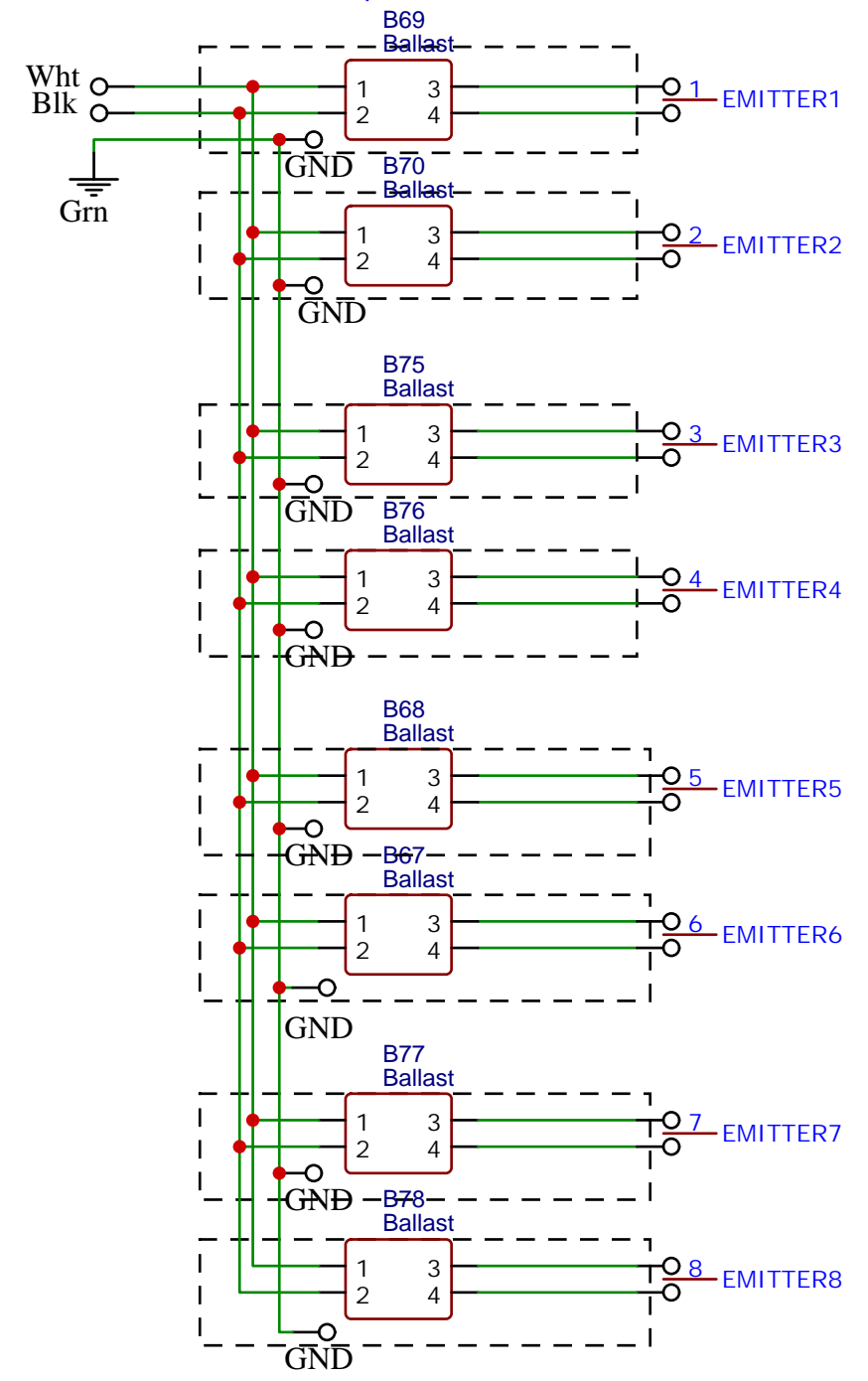


See Table to calculate expected current demand based on emitter size.  
 See NEC Allowable Ampacities of Insulated Conductors.



TITLE: ESE/N WIRING DIAGRAM		REV: 1.0
	Company: STERIL-AIRE	Sheet: 1/1
	Date: 2021-07-19	Drawn By:

**Steril-Aire Amps & Watts / Emitter P/N**  
**potential max amperage drawn**

PF = 0.98

Emitter	AMPS				WATTS
	120	208	230	277	
EGTS 12	0.20	0.12	0.10	0.09	25
EGTS 16	0.30	0.18	0.16	0.13	38
EGTS 20	0.38	0.22	0.20	0.16	47
EGTS 24	0.46	0.27	0.24	0.20	58
EGTS 30	0.57	0.33	0.30	0.25	71
EGTS 36	0.68	0.39	0.35	0.29	85
EGTS 42	0.78	0.45	0.41	0.34	98
EGTS 50	0.94	0.54	0.49	0.41	118
EGTS 61	1.14	0.66	0.60	0.50	143